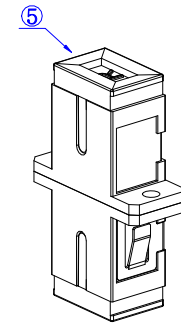
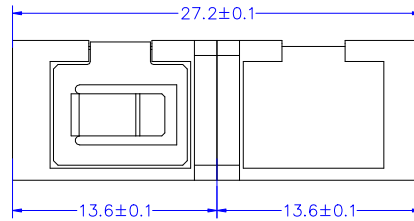
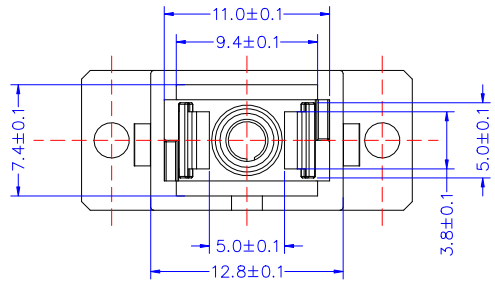
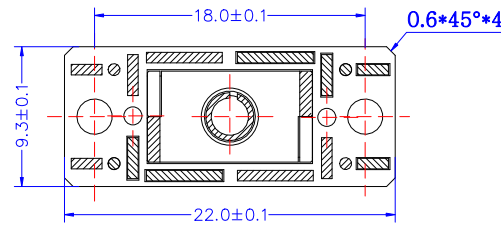
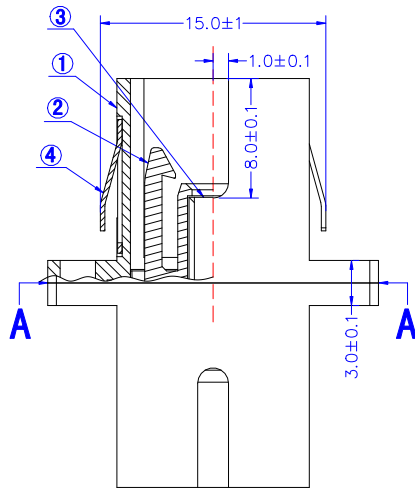


REV	DESCRIPTION	DATE	Remark
A0		2012-04-11	
A1			



SCALE 1:1



SECTION A-A

SPECIFICATION

Insertion Loss	Typical	0.1dB
	Maximum	0.2dB
Durability	<0.20dB typical change,1000matings	
Sleeve pull force	0.2-0.6Kg	
Operating Temp.Range	-40°C ~+ 85°C	

S/N	QTY	P/N	DESCRIPTION	Materials
1	2		SC Housing	ABS
2	2		SC holder	PBT
3	1		2.5 sleeve	Ceramlc/Bronze
4	1		Clip	Nickel plated SUS303
5	2		Dust cap	ABS



FiberHK Communication Technology co.,Ltd

UNIT	MM	DESCRIPTIONS:	DRAWN BY	XDZ
SCALE	2:1	SC SM Simplex Adaptor	CHECKED BY	marco
SHEET	1/1	FILE NO: 0020	APPD.BY	jack